

LM 1133 LM 1333 LM 1343
LM 1345 LM 1443 LM 1445 LM 1745



TELEHANDLERS TURBO

PERFECT VISIBILITY IN ALL DIRECTIONS

OUTSTANDING STABILITY AND MANOEVRABILITY

MODERN CNH ENGINE COMPLYING WITH EUROPEAN
STANDARDS 97/68/EC



BUILT AROUND YOU

PRODUCT RANGE AND ADVANTAGES



New Holland offers - in the range between 11 and 17 meters lifting height - 7 models to allow customer to choose the most suitable machine for his specific job. All models share the following winning features and customer advantages:

- Perfect visibility to the top of the arm fully raised and all around, to operate in complete relax
- Outstanding stability for maximum performances and safety
- Completely simultaneous movements can be achieved with maximum precision for extra productivity
- High transfer speed thanks to a perfectly modulated Power Shift transmission which, in addition, grants an exceptional traction force and digging capability
- Wide choice of attachments for different applications to maximise machine versatility



AVAILABLE STABILIZERS

Two different types of stabilizers, offered according to model, to satisfy customer needs:

- Narrow type: when they must stay within machine width while operating in close quarters
- Wide type: for applications that require total operational stability

VISIBILITY AND OPERATIONAL COMFORT



UNIQUE CAB

The spacious cab offers the best visibility available on the market. Its rounded front profile and large glass area of 8.1 m², give the operator total control of the arm in every position, as well as of right, left and rear side when manoeuvring in restricted working spaces.

An exceptionally wide door , opens 180° and is constructed in two sections to enable the upper section to be opened independently from the lower one. Both door sections may be secured at the fully open position for operator safety and convenience. Outstanding operator comfort and confidence for increased daily production



ERGONOMIC AND ELEGANT CAB



The elegant and wide cab is more than a working post. The instruments and controls are ergonomically located to ensure unbeatable comfort and safety. The cab internal surfaces are coated with ABS plastic for quick, easy and effective cleaning.

The standard, continuously adjustable, tilting steering column grants a full range of operator adjustments to provide his most suitable driving position.

New Holland Telehandlers, feature a single lever multifunction manipulator. The boom lifting/lowering and the fork or bucket closing/opening are hydraulically controlled by moving the manipulator respectively back & forth and left & right. The boom extension/retraction is operated, according to the model, by an on/off electrical button or by an electro-proportional “rocker”.



A simple, modern and comfortable manipulator which provides maximum precision in load positioning for fast, safe and productive operations.

HYDRAULIC SYSTEM & TRANSMISSION



HYDRAULICS

The New Holland Telehandlers feature a “Load Sensing – Flow Sharing” hydraulic system which guarantee completely simultaneous and independent movements as well as smooth and easy operation in all type of application.

TIER 3A ENGINE

All telehandlers are equipped with the last generation of CNH diesel engines with 4.5 litres displacement. These modern power plants, with different configurations and settings, develop the right power requested by each model while complying with European Standards 97/68/EC.

TRANSMISSION

The transmission, Power Shift 4 + 3 speeds type, grants:

- Superior traction force for outstanding digging capacity
- Unrivaled transport speed for faster cycles
- Exceptionally smooth modulation while changing gear or selecting forward and reverse

A fast, aggressive, smooth transmission to grant maximum operator comfort and production increase.



EASE OF OPERATION



STEERING CAPABILITY

All New Holland Telehandlers feature outstanding steering capability:

- For 11.00 m lifting high model 3.40 m
- For 13.00/14.00/17.00 lifting high models 3.89 m

They also feature 4 wheel steering with 3 different positions which may be easily selected by a switch, protected against accidental inputs, ergonomically positioned inside the cab.

Therefore the operator can choose the most suitable steering configuration according to the type of job in his hands:

- Front wheels steering only: most suitable for travelling and for transport operations;
- All wheels steering: for excellent mobility in confined spaces;
- Crab steering: to easy clean-up alongside walls or buildings without any complicated manoeuvres.

LIFTING CAPACITIES

Exceptional lifting capacity and operational maneuverability and stability

LMI133 TURBO	-3300 kg	LMI443 TURBO	-4300 kg
LMI333 TURBO	-3300 kg	LMI445 TURBO	-4500 kg
LMI343 TURBO	-4300 kg	LMI745 TURBO	-4500 kg
LMI345 TURBO	-4500 kg		



LMI 133

SPECIFICATIONS



ENGINE

Make and model CNH 4TC 4.5
 Type Turbo
 Total displacement 4.5 l
 Net flywheel power (ISO 14396) 74 kw / 99 hp
 Max torque 400@1400 rpm Nm



HYDRAULIC SYSTEM

Type Load Sensing
 Hydraulic controls Servo
 Simultaneous movement yes
 Hydraulic pump gear
 Hydraulic flow 130 l/min
 Hydraulic pressure 240 bar



TRANSMISSION

Type PowerShift
 Forward/Reverse speeds 4/3
 Max speed on road** 35 Km/h
 ** Max. speed limited according to the country's legislations



CAPACITIES

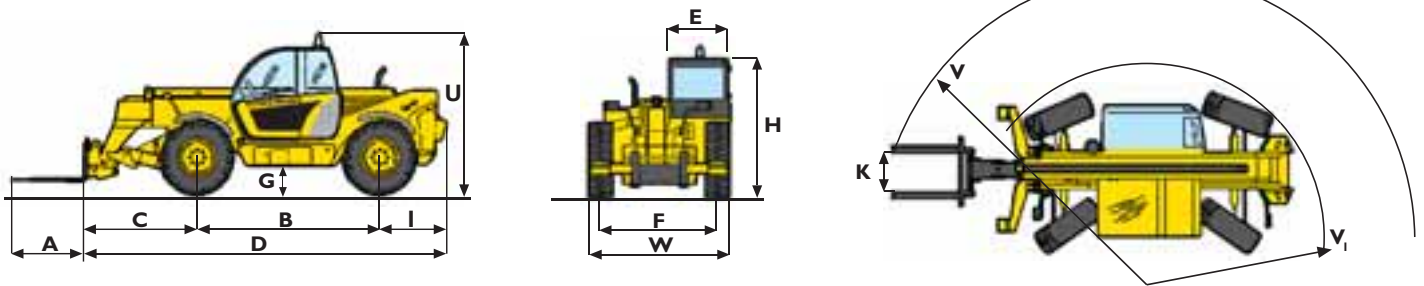
Fuel tank 125 l
 Hydraulic tank 110 l



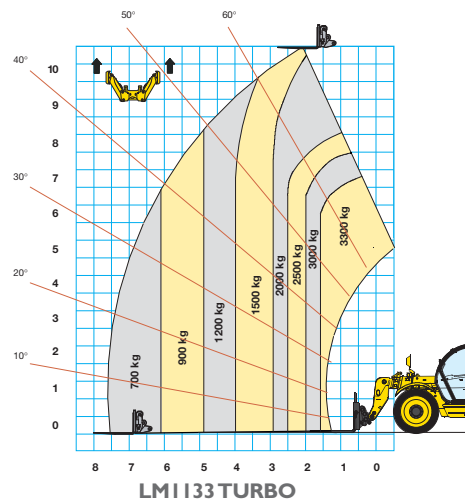
TYRES

405/70x24 MITAS
 400/80x24 DUNLOP
 15.5R25 MICHELIN

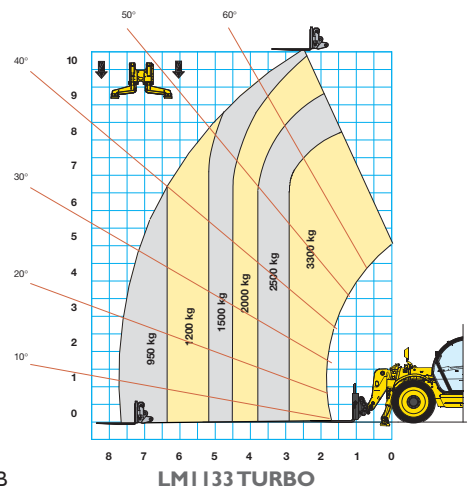
DIMENSIONS (with MITAS 405/70x24)



A	mm	1200
B	mm	3010
C	mm	1615
D	mm	5375
E	mm	1000
F	mm	1875
G	mm	420
H	mm	2400
I	mm	750
K	mm	1260
U	mm	2470
V	mm	5420
V_i	mm	3400
W	mm	2340



ENI459/B



LMI 133 TURBO

PERFORMANCE		LMII33
Maximum lift capacity (at 500 mm from fork heel)	kg	3300
Maximum lift height	m	10.60
Lift capacity at maximum reach	kg	800
Lift capacity at maximum lift height	kg	2000
Reach fully raised	m	2.40
Maximum forward reach	m	7.70
Height with max load (3300 kg)	m	6.80
Break out force	daN	5800
Operating weight	kg	8700

LM1333

SPECIFICATIONS



ENGINE

Make and model CNH 4TC 4.5
 Type Turbo
 Total displacement 4.5 l
 Net flywheel power (ISO 14396) 74 kw / 99 hp
 Max torque 400@1400 rpm Nm



HYDRAULIC SYSTEM

Type Load Sensing
 Hydraulic controls Servo
 Simultaneous movement yes
 Hydraulic pump gear
 Hydraulic flow 115 l/min
 Hydraulic pressure 240 bar



TRANSMISSION

Type PowerShift
 Forward/Reverse speeds 4/3
 Max speed on road** 35 Km/h
 ** Max. speed limited according to the country's legislations



CAPACITIES

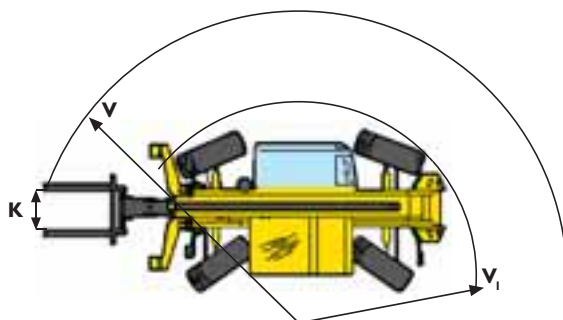
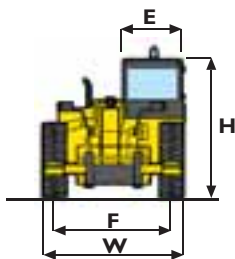
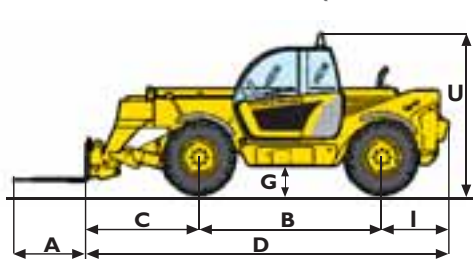
Fuel tank 135 l
 Hydraulic tank 180 l



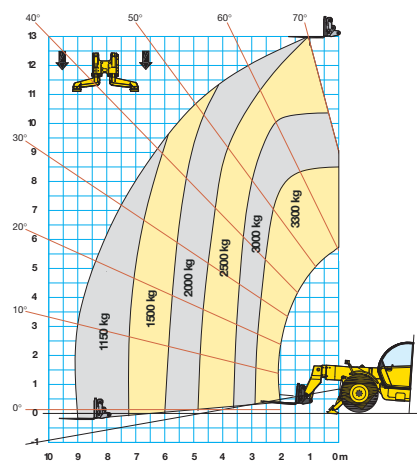
TYRES

15.5x22.5 MICHELIN
 405/70x24 SOLIDEAL
 400/80x24 DUNLOP
 405/70x24 MITAS

DIMENSIONS (With 24" rims)



A	mm	1200
B	mm	3120
C	mm	1930
D	mm	6150
E	mm	1000
F	mm	2050
G	mm	402
H	mm	2450
I	mm	1100
K	mm	1260
T	mm	4600
U	mm	2730
V	mm	5445
V₁	mm	3890
W	mm	2445



EN1459/B

LM1333

PERFORMANCE		LM1333 with stab. down
Maximum lift capacity (at 500 mm from fork heel)	kg	3300
Maximum lift height	m	13.0
Lift capacity at maximum reach	kg	1250
Lift capacity at maximum lift height	kg	2500
Reach fully raised	m	1.00
Maximum forward reach	m	8.75
Height with max load (3000/3300 kg)	m	8.40
Break out force	daN	7750
Operating weight	kg	9900

LM1343/LM1345

SPECIFICATIONS



ENGINE

Make and model CNH 4TAA 4.5
 Type Turbo aftercooler
 Total displacement 4.5 l
 Net flywheel power (ISO 14396) 88 kw / 118 hp
 Max torque 525@1250 rpm Nm



HYDRAULIC SYSTEM

Type Load Sensing
 Hydraulic controls Servo
 Simultaneous movement yes
 Hydraulic pump gear
 Hydraulic flow 115 l/min
 Hydraulic pressure 240 bar



TRANSMISSION

Type PowerShift
 Forward/Reverse speeds 4/3
 Max speed on road** 35 Km/h
 ** Max. speed limited according to the country's legislations



CAPACITIES

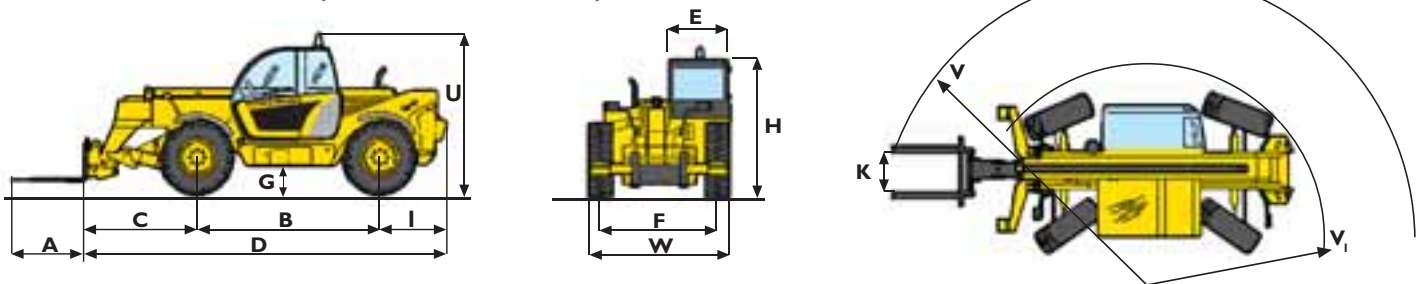
Fuel tank 135 l
 Hydraulic tank 180 l



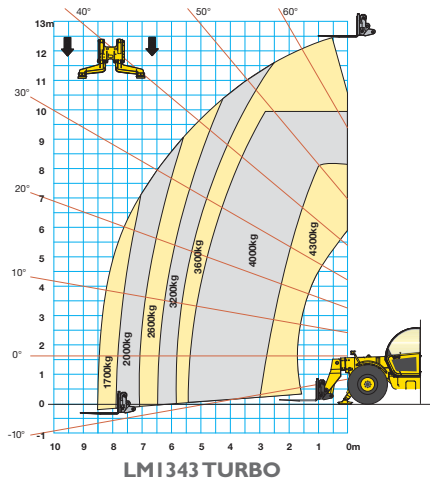
TYRES

15.5x22.5 MICHELIN
 405/70x24 SOLIDEAL
 400/80x24 DUNLOP
 405/70x24 MITAS
 13.00X24 GOODYEAR***
 ***only for LM1345

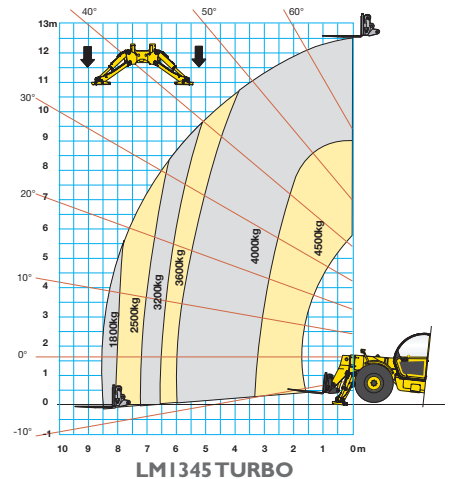
DIMENSIONS (with MITAS 405/70x24)



A	mm	1200
B	mm	3120
C	mm	1650
D	mm	5870
E	mm	1000
F	mm	2050
G	mm	402
H	mm	2450
I	mm	1100
K	mm	1260
T	mm	4396
U	mm	2730
V	mm	5204
V₁	mm	3890
W	mm	2445



ENI459/B



PERFORMANCE		LM1343	LM1345
		with small Stab.	with large Stab.
Maximum lift capacity (at 500 mm from fork heel)	kg	4300	4500
Maximum lift height	m	12.45	12.45
Lift capacity at maximum reach	kg	1700	1800
Lift capacity at maximum lift height	kg	3600	4000
Reach fully raised	m	0.50	0.00
Maximum forward reach	m	8.65	8.65
Height with max load (4000/4500 kg)	m	8.30	8.20
Break out force	daN	7750	7750
Operating weight	kg	10400	10630

LMI 443/LMI 445

SPECIFICATIONS



ENGINE

Make and model CNH 4TC 4.5
 Type Turbo aftercooler
 Total displacement 4.5 l
 Net flywheel power (ISO 14396) 88 kw / 118 hp
 Max torque 525@1250 rpm Nm



TRANSMISSION

Type PowerShift
 Forward/Reverse speeds 4/3
 Max speed on road** 35 Km/h
 ** Max. speed limited according to the country's legislations



HYDRAULIC SYSTEM

Type Load Sensing
 Hydraulic controls Servo
 Simultaneous movement yes
 Hydraulic pump gear
 Hydraulic flow 115 l/min
 Hydraulic pressure 240 bar



CAPACITIES

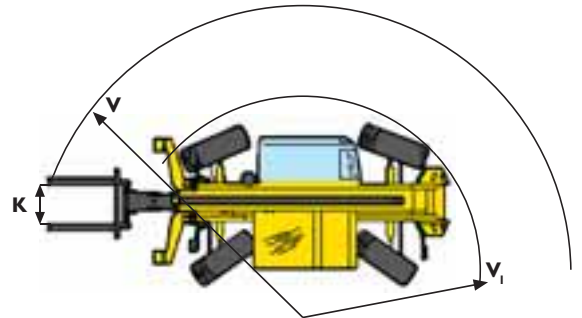
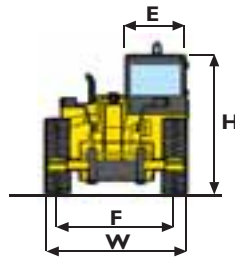
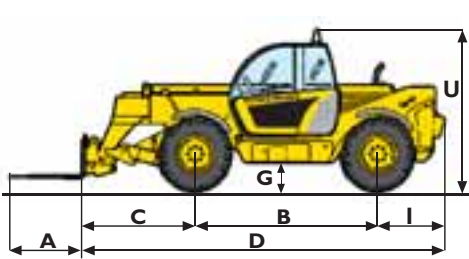
Fuel tank 135 l
 Hydraulic tank 180 l



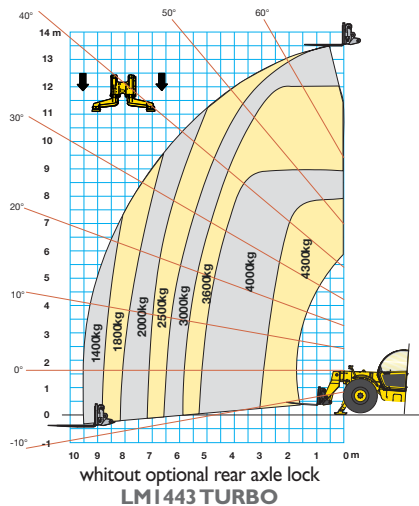
TYRES

15.5x22.5 MICHELIN
 15.5x25 MICHELIN
 405/70x24 SOLIDEAL
 400/80x24 DUNLOP
 405/70x24 MITAS
 13.0X24 GOODYEAR

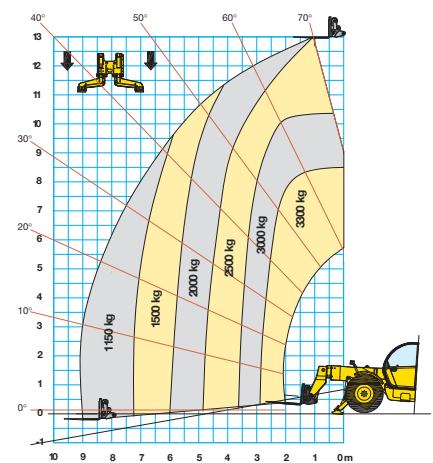
DIMENSIONS (with MITAS 405/70x24)



A	mm	1200
B	mm	3120
C	mm	1880
D	mm	6100
E	mm	1000
F	mm	2050
G	mm	402
H	mm	2450
I	mm	1100
K	mm	1260
T	mm	4552
U	mm	2730
V	mm	5390
V₁	mm	3890
W	mm	2445



EN1459/B



EN1459/B

PERFORMANCE		LMI443 with small Stab.	LMI445 with large Stab.
Maximum lift capacity (at 500 mm from fork heel)	kg	4300/4000*	4500/4000*
Maximum lift height	m	13.55/13.30*	13.55/13.30*
Lift capacity at maximum reach	kg	1400/650*	1500/650*
Lift capacity at maximum lift height	kg	3000/1700*	3600/1700*
Reach fully raised	m	0.50/1.00*	0.30/1.00*
Maximum forward reach	m	9.33/9.33*	9.33/9.33*
Height with max load (4000/4500 kg)	m	8.90/7.30*	11.40/7.30*
Break out force	daN	7750/7750*	7750/7750*
Operating weight	kg	11330	11460

*Machine with stabilizers up

LM1745

SPECIFICATIONS



ENGINE

Make and model CNH 4TAA 4.5
 Type Turbo aftercooler
 Total displacement 4.5 l
 Net flywheel power (ISO 14396) 88 kw / 118 hp
 Max torque 525@1250 rpm Nm



HYDRAULIC SYSTEM

Type Load Sensing
 Hydraulic controls Servo
 Simultaneous movement yes
 Hydraulic pump gear
 Hydraulic flow 115 l/min
 Hydraulic pressure 240 bar



TRANSMISSION

Type PowerShift
 Forward/Reverse speeds 4/3
 Max speed on road** 35 Km/h
 ** Max. speed limited according to the country's legislations



CAPACITIES

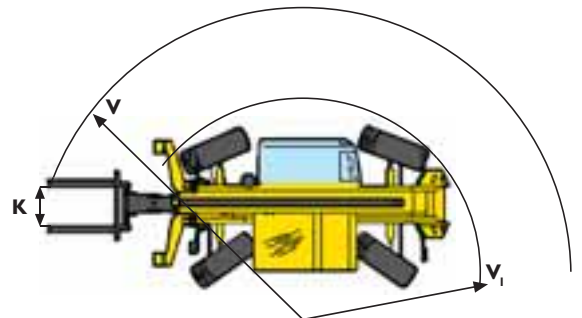
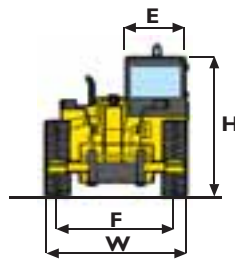
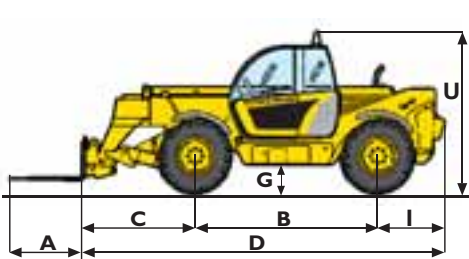
Fuel tank 135 l
 Hydraulic tank 180 l



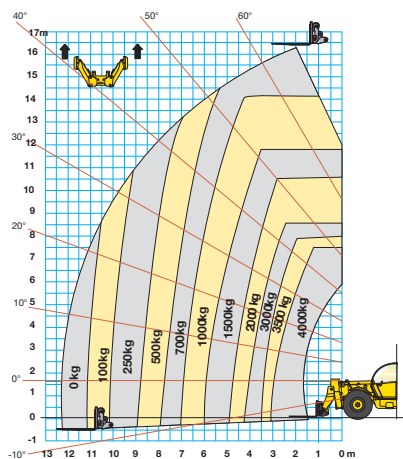
TYRES

15.5x22.5 MICHELIN
 15.5x25 MICHELIN
 405/70x24 SOLIDEAL
 400/80x24 DUNLOP
 405/70x24 MITAS
 13.0X24 GOODYEAR

DIMENSIONS (with MITAS 405/70x24)

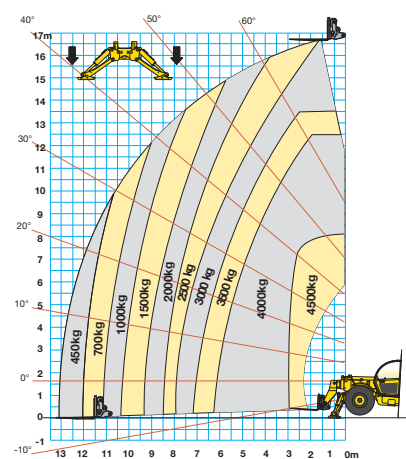


A	mm	1200
B	mm	3120
C	mm	2100
D	mm	6230
E	mm	1000
F	mm	2050
G	mm	402
H	mm	2450
I	mm	1100
K	mm	1260
T	mm	4598
U	mm	2730
V	mm	5445
V₁	mm	3890
W	mm	2445



LM1745 TURBO

ENI459/B



LM1745 TURBO

PERFORMANCE		LM1745	LM1745
		with small Stab.	with large Stab.
Maximum lift capacity (at 500 mm from fork heel)	kg	4000	4500
Maximum lift height	m	16.24	16.60
Lift capacity at maximum reach	kg	-	450
Lift capacity at maximum lift height	kg	700	3000
Reach fully raised	m	2.00	1.00
Maximum forward reach	m	12.54	12.54
Height with max load (4000/4500 kg)	m	7.40	7.95
Break out force	daN	7750	7750
Operating weight	kg	12300	12300

PARTS AND SERVICE

The New Holland dealer network is, in itself, the best guarantee of continued productivity for the machines it delivers to its customers. New Holland service technicians are fully equipped to resolve all maintenance and repair issues, with each and every service point providing the high standards they are obliged to observe under New Holland's stringent quality guidelines. The New Holland global parts network ensures fast, reliable, replacement parts for less downtime, increased productivity and, of course, profitable operation for its customers.



AT YOUR OWN DEALERSHIP

The information contained in this brochure is intended to be of general nature only. The NEW HOLLAND KOBELCO CONSTRUCTION MACHINERY S.p.A. company may at any time and from time to time, for technical or other necessary reasons, modify any of the details or specifications of the product described in this brochure. Illustrations do not necessarily show products in standard conditions. The dimensions, weights and capacities shown herein, as well as any conversion data used, are approximate only and are subject to variations within normal manufacturing techniques.

Published by NEW HOLLAND KOBELCO CONSTRUCTION MACHINERY S.p.A.
Printed in Italy - MediaCross Firenze - Cod 30423GB - Printed 03/12

Printed on recycled paper
CoC-FSC 000010 CQ Mixed sources



ELEMENTAL
CHLORINE
FREE
GUARANTEED



www.newholland.com

