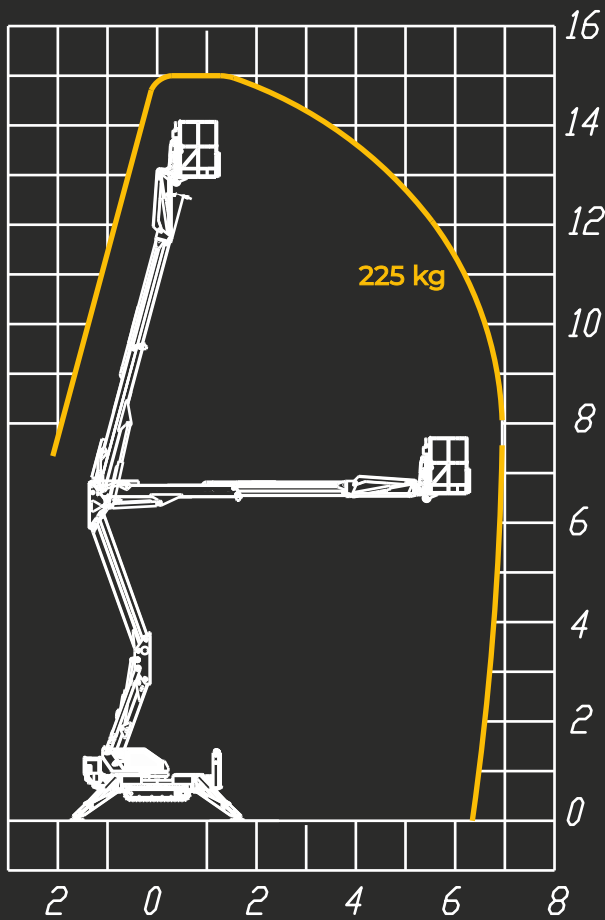


## working diagram

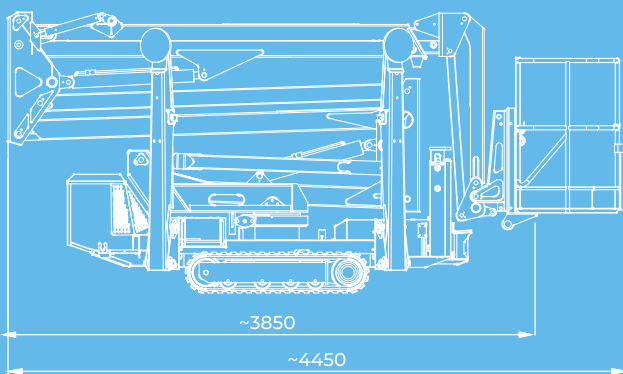


## technical info

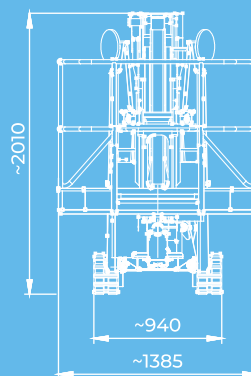
 <b>OUTRIGGERS</b> Z+Z	 <b>CONTROLS</b> Hydraulic
 <b>WORKING HIEGHT</b> 15,00 m	 <b>TURRET ROTATION</b> 400°
 <b>BASKET HIEGHT</b> 13,00 m	 <b>GVW</b> 1,9 ton
 <b>MAX OUTREACH</b> 7,00 m	 <b>DIMENSIONS</b> 3210x3265
 <b>BASKET PAYLOAD</b> 225 kg	 <b>BASKET ROTATION</b> 0°
 <b>BASKET SIZE</b> 1400x700x1100	 <b>LIFTING HOOK</b> -

forSte  
**155**  
RAPTOR  
EDGE

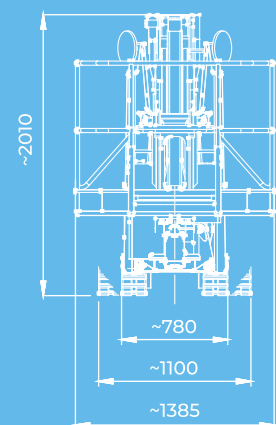
## dimensions



Standard version



Version with expandable undercarriage



✓ Greater strength and stability  
✓ Simplicity and reliability

✓ Bi-energy  
✓ Expansion basket